

# Trimvent® Select S13

## Surface mounted slot ventilator



Trimvent® Select S13 Ventilator

Trimvent® Select C13 Canopy

### For use on PVCu, timber or aluminium windows

Trimvent Select S13 is a surface mounted plastic slot ventilator that fits over a 13mm slot in a window and provides an Equivalent Area (EA) of 1700mm<sup>2</sup> or 2700mm<sup>2</sup> and can be fitted with an XC13 canopy or GS13 grille.

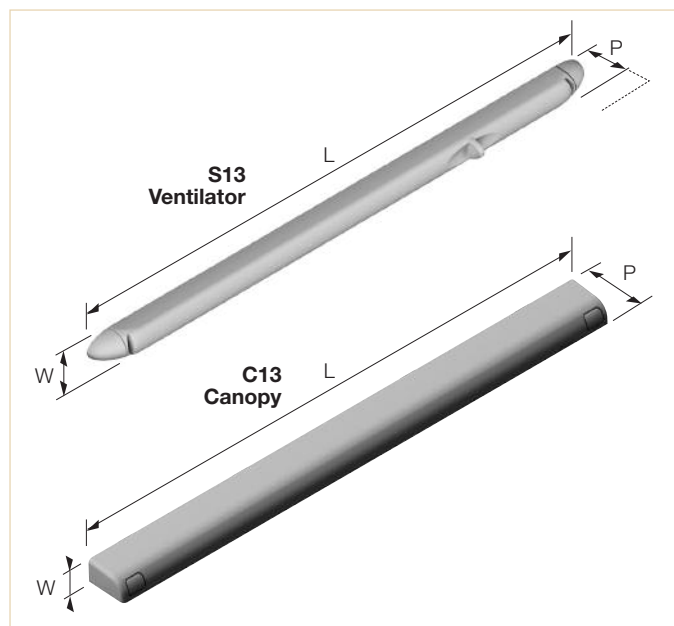
The S13 is ideal for refurbishment

situations using any window material and is available in a variety of colours.

Trimvent Select ventilators have been specified and fitted on millions of windows throughout the UK and mainland Europe over the last fifteen years.

### Features and Benefits

- Deflects air up or down, or both
- Screw fix or clip fix versions (GS13 clip fix only)
- Unique occupant controllable tilting T-bar
- Rounded unobtrusive shape
- Can be fitted on the sash, frame or overhead section
- For use over 13mm slot
- Based on successful Trimvent® principle
- Sculpted finger recess
- Matching screw covers
- Patented and registered design
- Available in vent and canopy packs
- Remote control vent available
- Sleeve available for hollow profiles



## Details

Product	Product Code	(L) Length	(W) Width	(P) Projection Closed-Open	EA (mm <sup>2</sup> )	Free Area (mm <sup>2</sup> )	Slot Detail
S13 1700EA vent screw fix	TS1131750	265	18.5	20 - 26	1700	2212	
C13 267 canopy screw fix	TS2132020	267	17	24	1700	2351	
S13 1700EA vent & C13 canopy screw fix pack	TS4131720				1700	2212	
S13 1700EA vent clip fix	TS1131751	265	18.5	20 - 26	1700	2212	
C13 267 canopy clip fix	TS2132021	267	17	24	1700	2351	
S13 1700EA vent & C13 canopy clip fix Pack	TS4131721				1700	2212	
S13 1700EA remote control	TS6131750	265	18.5	32.5*	1700	2212	
S13 2700EA vent screw fix	TS1132750	411	18.5	20 - 26	2700	4045	
C13 412 canopy screw fix	TS2134020	412	17	24	2700	4278	
S13 2700EA vent & C13 canopy screw fix pack	TS4132720				2700	4045	
S13 2700EA vent clip fix	TS1132751	411	18.5	20 - 26	2700	4045	
C13 412 canopy clip fix	TS2134021	412	17	24	2700	4278	
S13 2700EA vent & C13 canopy clip fix pack	TS4132721				2700	4045	
GS13 4000 grille (2 of)	TS3134050	192	17	14	2700	4143	
S13 2700EA remote control	TS6132750	411	18.5	32.5*	2700	4045	

EA figures above and marked on vents are achieved when fitted to manufacturer's recommendations. Tested in accordance with BS:EN 13141-1 (2004). \*Projection of corner block and pulley. See Titon fixing instructions for full details.

### Manufactured from

PBTP (UV Stable) & POM, Canopy - PVCu

### Recommended screws

C13 - 3.5mm (No.6) Pan Head or equivalent  
S13 - No.7 or No.8 countersunk heads

### Standards

Tested in accordance with BS EN 13141-1:2004 (air flow, air leakage and weather tightness)

Acoustic performance tested in accordance with BS EN ISO20140-10:1992, BS EN ISO140-10:1991 and single figures to BS EN ISO717-1:1991



Through sash

### Performance

(Full test details available on request)  
Equivalent Area - see above  
Free Area - see above  
Air Leakage (m<sup>3</sup>/hr @ 50Pa)  
1700EA version (screw fix) – 1.61  
2700EA version (screw fix) – 2.61  
Water Resistance (Pa) – 1700EA and 2400EA - 600 Pa  
Acoustic D<sub>n,e,w</sub> (+/-) 2700EA version - vent open 33 (-1;0), vent closed 45 (-1,-2)

### Finishes

Suffix product code with:  
-392 (white), -315 (brown), -496 (bright white), -662 (toffee)

### More information

Contact the distributor for your country, details at [www.titon.com](http://www.titon.com).